

EXPLOSIVE AND NARCOTICS DETECTOR

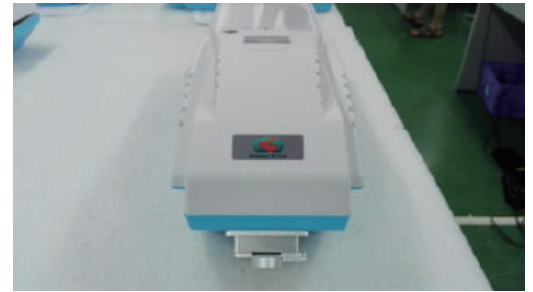


EXPLOSIVE AND NARCOTICS DETECTOR HD 300

Accurate detection

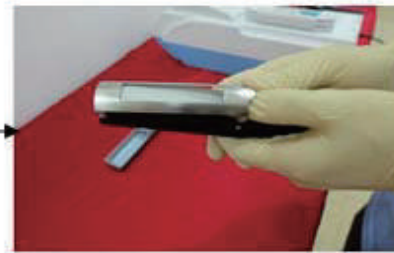
Advanced vacuum ultraviolet lamp ionization technique, in the practical work, don't need to aim at package in dangerous goods, just wipe with paper checked packages can detect whether carrying dangerous goods, operation is convenient.

Sampling Methodology: Vapor and particles dual mode



Operation process

Prepare testing stick



get sampling paper ready



Check test



Insert the sampling paper



Take sampling

FEATURES

Dual mode

Positive and negative dual mode, to achieve the two-mode detection of explosives and drugs.

A key detection

One-touch detection, simple operation.

Accurate identification

The type of ingredients can be accurately identified dangerous goods, can be reported to be seized dangerous goods name.

High speed analysis

Detection and analysis faster than similar products, can have testing results in 3 seconds.

Automatic calibration

With automatic calibration function, to adapt to a variety of environmental changes.

Automatic cleaning

With automatic cleaning function, to adapt to a variety of environmental changes.

Automatic diagnosis

Automatic fault diagnosis and can prompt warning in real time. The user can judge whether the instrument is running normally according to the warning.

Real-time update

Open database, sample library information can be upgraded at any time.

Full color screen

Equipped with 2.8-inch TFT color touch screen.

Real-time storage

With real-time data storage, retrieval, export and other functions, storage capacity of not less than 800,000.

Consumables cheap

Molecular sieve based desiccant, cheap, easy to replace.

Sturdy packaging

Safety box plus lined, carton packaging.



ACCESSORIES LIST AND PACKING
HD300 Portable Explosive Detector Packing List

Description	Quantity (set)
• Main Machine	1
• Power adapter (19v, 9.5A)	1
• Gas purifier	2
• Test paper for particle sampling mode	600
• Test paper for vapor sampling mode	200
• USB cable	1
• CD	1
• User Manual	1
• Warranty Card	1
• Touch Pen	1
• Elastic Special tools	1
• Sample Colect Stick	1
• Cross-head Screwdriver	1

GENERAL SPECIFICATIONS

- Weight <4.0kg
- Size 470mm(L) x 170mm(W)x200mm(H)
- Battery working time >2h, Standby time >12h
- Power adapter Adapter: AC110V/220V AC, 50-60Hz Output 24V
Charger: AC110V/220V AC, 50-60Hz

Performance Parameter

- Verifiable explosives There are various kinds of military civil and indigenous explosives, such as nitroglycerine nitrification, ammonium nitrate black powder, ammonium nitrate black powder, and the possibility of adding new samples as needed.
- Verifiable drug Cocaine, hydrochloric acid heroin, tetrahydrocannabinol, methylaniline (methamphetamine), ketamine hydrochloride, ecstasy, pethidine and other common drugs on the market, and according to the need to add new samples.
- Sensitivity pg
- Analysis time ≤3s
- Startup time < 13min
- False Alarm Rate ≤ 1%
- Detection rate ≥ 99%

System Function

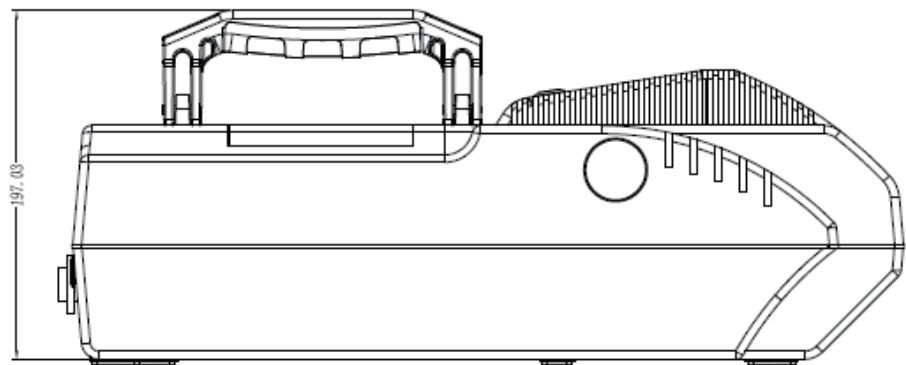
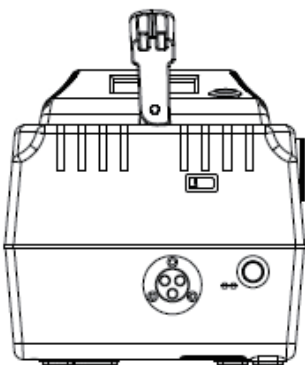
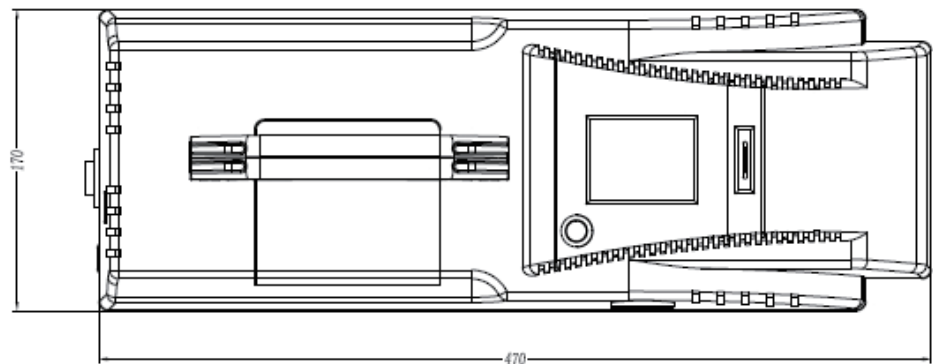
- Language Chinese system & English system(optional)
- Database Open database can be updated at any time
- Sampling method Trace particles adsorption sampling, test paper wipe samples
- Detection object Detection of drugs and explosives
- Mixture detection With the main component detection and the mixture composition detection selection function
- Alarm sound light

Environmental parameter

- Working/storage temp. -20°C
- Working/storage temp. <95%
- Working pressure 60kPa~106kPa



Dimensional Drawing





MEDSURGE HEALTHCARE LIMITED
MUSEUM HILL CENTRE, MUSEUM ROAD
P.O. BOX 75534 00200
NAIROBI, KENYA
Tel: 0720 714 337
Email: info@medsurgehealth.co.ke
Web: www.medsurgehealth.co.ke